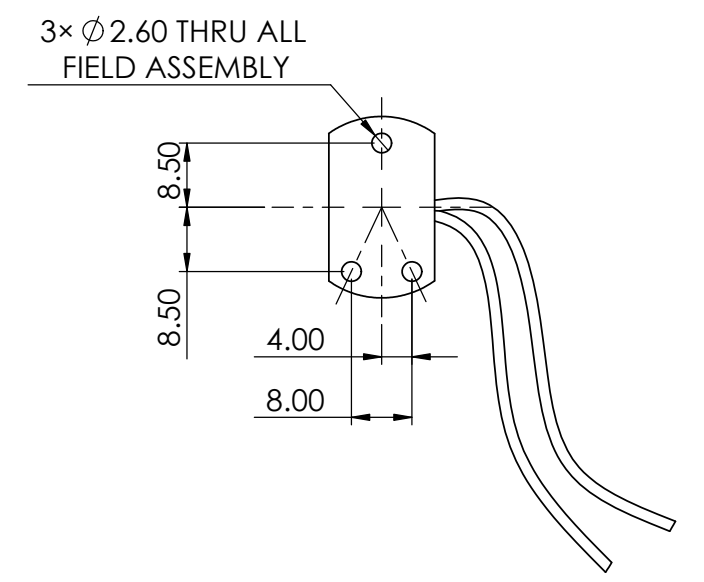
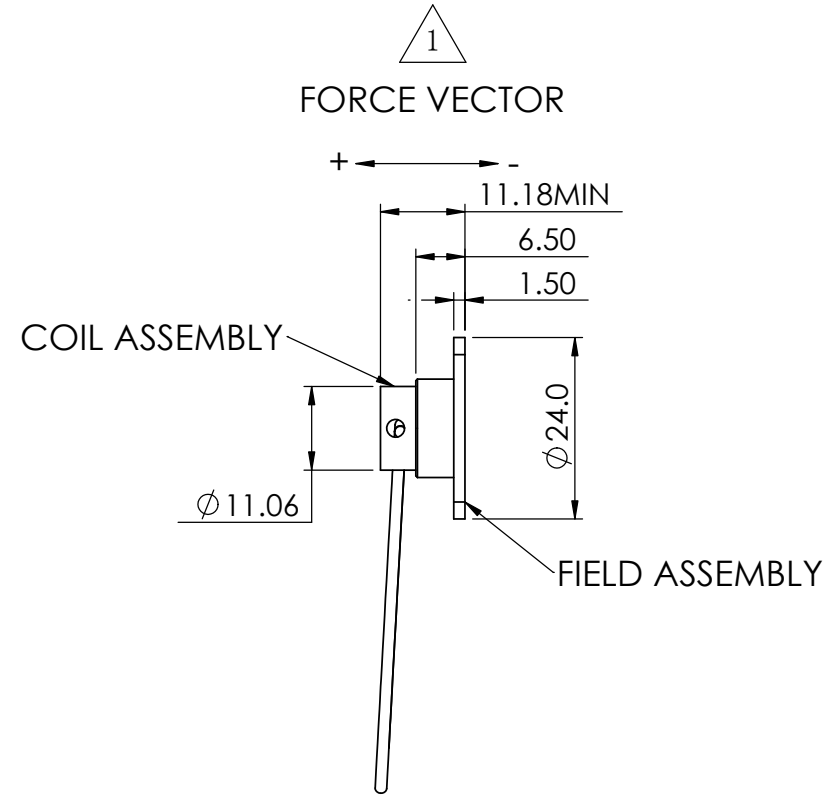
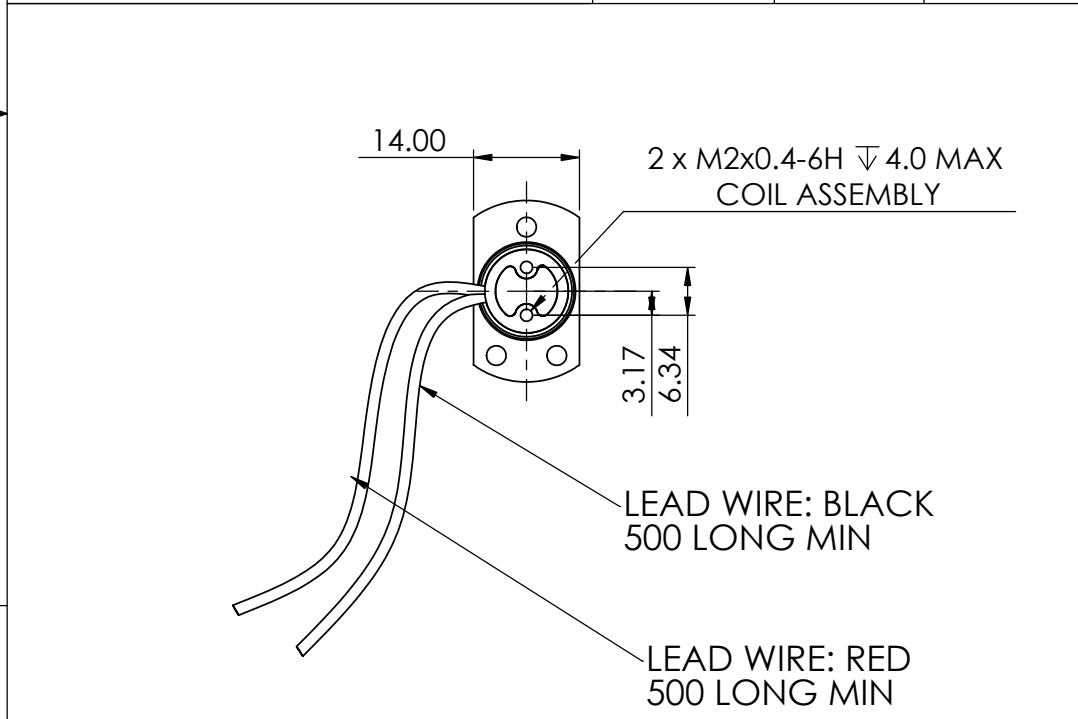


| WINDING CONSTANT | TOL | SYM | VALUE | UNITS |
|---------------------------------------|---------|------|-------|-----------|
| DC RESISTANCE | ± 10% | R | 4 | OHMS |
| VOLTAGE @ Fp | NOMINAL | Vp | 4.8 | VOLTS |
| CURRENT @ Fp | NOMINAL | Ip | 1.21 | AMPS |
| FORCE SENSITIVITY | ± 7.5% | Kf | 0.603 | N / A |
| BACK EMF CONSTANT | NOMINAL | Kb | 0.603 | V/M/Sec |
| INDUCTANCE***** | ± 30% | L | 0.03 | mH |
| ACTUATOR PARAMETER | | SYM | VALUE | UNITS |
| PEAK FORCE * | | Fp | 0.73 | N |
| CONTINUOUS FORCE ** | | Fc | 0.42 | N |
| CONTINUOUS FORCE WITH HEAT SINK | | Fc | 0.73 | N |
| ACTUATOR CONSTANT | | Ka | 0.3 | N/√w |
| ELECT TIME CONSTANT | | Te | 0.008 | milli-sec |
| POWER I ² R@Fp | | Pp | 5.8 | W |
| TOTAL STROKE | | S | 1.0 | mm |
| CLEARANCE ON SIDE OF COIL | | CL | 0.5 | mm |
| THERMAL RESISTANCE *** | | θth | 62.7 | C / W |
| THERMAL RESISTANCE WITH HEAT SINK**** | | θth | 14.4 | C / W |
| MAX WINDING TEMP | | Tmax | 150 | C |
| WEIGHT OF COIL ASSEMBLY | | WTc | 2.7 | g |
| WEIGHT OF FIELD ASSEMBLY | | WTf | 6.9 | g |
| WEIGHT OF ACTUATOR | | WTa | 9.6 | g |

* 10 sec @ 25C ambient, 150C coil temp.
 ** 25C ambient, 150C coil temp.
 *** In free air.
 **** Measured with 250×250×10mm heat sink.
 ***** Measured with BK PRECISION 875B.

| REV | ECO.NO | DESCRIPTION | DRN | APP'D | DATE |
|-----|--------|-------------------|-----|-------|----------|
| X1 | --- | INITIAL RELEASE | WYG | FCL | 06/08/13 |
| X2 | 100041 | UPDATE DATA SHEET | WYG | FCL | 06/09/29 |



2.INSULATION RESISANCE:100 MEGOHMS MINIMUM AT 500 VDC.
 ▲A POSITIVE(+)VOLTAGE APPLIED TO THE RED LEAD WILL PRODUCE A FORCE ON THE COIL ASSEMBLY IN POSITIVE (+) DIRECTION.
 NOTES:UNLESS OTHERWISE SPECIFIED

PROPRIETARY AND CONFIDENTIAL
 THE INFORMATION CONTAINED IN THIS DRAWING IS THE SOLE PROPERTY OF USAS MOTION - SUZHOU, CHINA. ANY REPRODUCTION IN PART OR AS A WHOLE WITHOUT THE WRITTEN PERMISSION OF USAS MOTION - SUZHOU, CHINA IS PROHIBITED.

| | | |
|--|-----------|--------------|
| UNLESS OTHERWISE SPECIFIED: | NAME | DATE |
| DIMENSIONS ARE IN MM | WYG | 06-08-13 |
| TOLERANCES: | | |
| ANGULAR: MACH±0° 30' | CHECKED | |
| ONE PLACE DECIMAL ±0.25 | ENG APPR. | FCL 06-08-13 |
| TWO PLACE DECIMAL ±0.1 | MFG APPR. | |
| INTERPRET GEOMETRIC TOLERANCING PER: ANSI Y14.5M-1982. | Q.A. | |
| DO NOT SCALE DRAWING | COMMENTS: | |

usas motion Suzhou, China

TITLE:
LINEAR ACTUATOR

| | | |
|----------|------------------|-----|
| SIZE | DWG. NO. | REV |
| B | VLR0001-0010-00A | X2 |

SCALE: 1: 1 SHEET 1 OF 1